
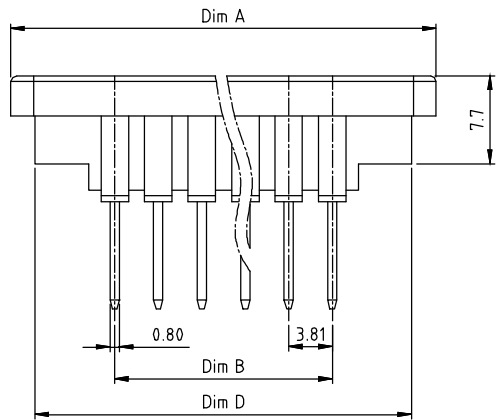
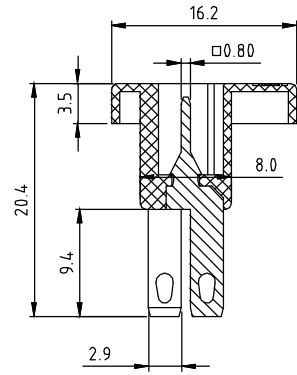
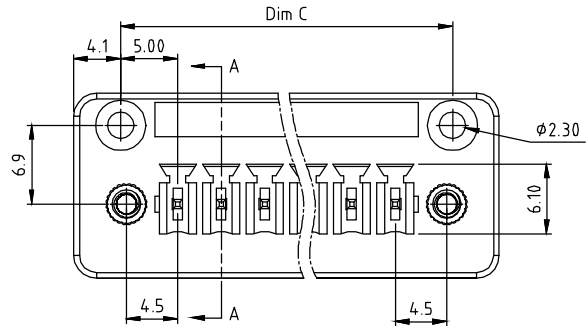
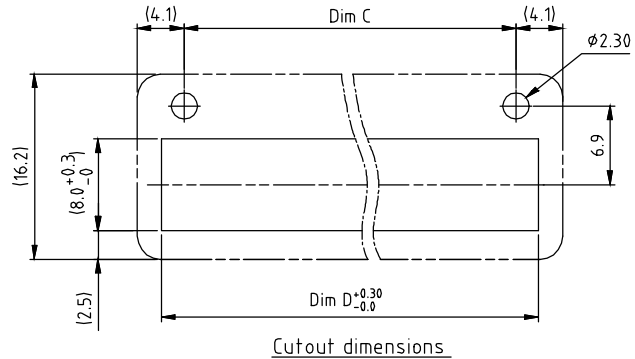


SPECIFICATIONS

Current Rating: 10 Amps
 Voltage Rating: 300 VAC
 Dielectric withstanding: 1.6KV
 Operating Temperature: -40°C~+115°C
 Solder Pin: Brass with Tin Plating
 Insulator Material: Thermoplastic, UL 94V-0
 Flange Screw Nut: Brass, M2.5
 Insulator Material: 



N=Number of contacts



RPEA- xx C J x J-FG
 No. OF POLES: 02: 2 POLES, ..., 24: 24 POLES
 COLOR: J: Black(RAL9005), B: Red(RAL3001/D), C: Orange(RAL2011/P), D: Yellow(RAL1018/A), E: Green(RAL6018/T), F: Blue(RAL5015/A), H: Grey(RAL7035/D), 3: Green(RAL6018/U)
 FG: RoHS Compliant (Lead <4% in Copper Alloy)

APTOS Technology CONFIDENTIAL
 This document, and all information it contains, are the confidential, proprietary property of APTOS Technology. Disclosure, duplication or distribution of this document, or any information it contains, in whole or part, without prior written permission from APTOS Technology is strictly prohibited

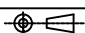
DIMENSION

Dim A	Nx3.81+14.39
Dim B	(N-1)x3.81
Dim C	(N-1)x3.81+10.0
Dim D	(N-1)x3.81+13.95

Poles	Tolerance
2pole~5pole	±0.20
6pole~10pole	±0.30
11pole~15pole	±0.35
16pole~24pole	±0.40

GENERAL TOLERANCE UNLESS OTHERWISE SPECIFIED	
xxx. ± X	.xx ± 0.10
xx. ± X	.xxx ± X
x. ± 0.50	x. ± 1"
.x ± 0.30	.x ± 1"



REV. A	DRAWN	04/04/11	RPEA Series
DATE 04/04/11	CHECKED		3.81mm Panel Mount Header
SCALE 1:1	APPROVED		PRODUCT NO. RPEA-XXCJXJ-FG
UNIT mm		SIZE A4	FILE NAME RPEA-XXCJXJ-FG LF APD.DWG